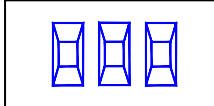
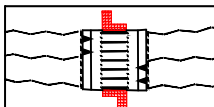
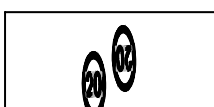


**KEY**

- 

PROPOSED 75mm HIGH SPEED CUSHIONS
- 

EXISTING ZEBRA CROSSINGS RAISED TO 75mm HEIGHT
- 

PROPOSED 20MPH LINE MARKINGS

Drawing. No.

**T3/1334**

Date 03/09/20

Scale 1:2500

## DUNSTALL HILL TRAFFIC CALMING PLAN

City of Wolverhampton Council  
Transportation Services,  
Place, Civic Centre,  
St Peter's Square,  
Wolverhampton, WV1 1RP.

**CITY OF  
WOLVERHAMPTON  
COUNCIL**